

aruba  
a Hewlett Packard  
Enterprise company

TECH TALK

aruba  
a Hewlett Packard  
Enterprise company

TECH TALK

aruba  
a Hewlett Packard  
Enterprise company

TECH TALK

aruba  
a Hewlett Packard  
Enterprise company

TECH TALK

aruba  
a Hewlett Packard  
Enterprise company

TECH TALK

aruba  
a Hewlett Packard  
Enterprise company

TECH TALK

aruba  
a Hewlett Packard  
Enterprise company

TECH TALK

aruba  
a Hewlett Packard  
Enterprise company

TECH TALK

aruba  
a Hewlett Packard  
Enterprise company

TECH TALK

aruba  
a Hewlett Packard  
Enterprise company

TECH TALK

aruba  
a Hewlett Packard  
Enterprise company

TECH TALK

aruba  
a Hewlett Packard  
Enterprise company

TECH TALK

aruba  
a Hewlett Packard  
Enterprise company

TECH TALK

aruba  
a Hewlett Packard  
Enterprise company

TECH TALK

aruba  
a Hewlett Packard  
Enterprise company

TECH TALK

aruba  
a Hewlett Packard  
Enterprise company

TECH TALK

aruba  
a Hewlett Packard  
Enterprise company

TECH TALK

aruba  
a Hewlett Packard  
Enterprise company

TECH TALK

aruba  
a Hewlett Packard  
Enterprise company

TECH TALK

aruba  
a Hewlett Packard  
Enterprise company

TECH TALK

aruba  
a Hewlett Packard  
Enterprise company

TECH TALK

aruba  
a Hewlett Packard  
Enterprise company

TECH TALK

aruba  
a Hewlett Packard  
Enterprise company

# Alvin Ng

## APJ Data Center Networking Category Manager

Alvin has been with HPE for the last 10 years and previously held roles in Global Accounts, Networking and Storage sales. He was part of APAC Hybrid IT regional sales and transitioned into Aruba in 2019.

As the DCN category manager in Aruba, Alvin's responsibilities include managing the category, developing sales incentive programs, manage new product introductions, managing transitions of DCN product portfolio and also work closely with the APJ Hybrid IT team to drive the DCN business.

Alvin previously spent more than 15 years in the telco industry with AT&T, Lucent Technologies and Avaya and started his career in system engineering designing cellular networks before moving to sales and business development in the region.

Besides an MBA from Nanyang Technological University's Nanyang Business School, Alvin completed his undergraduate studies in the UK with University of Nottingham in Electronics Engineering.



# Ubaidali Abdul Razack

Distinguished Technologist, DCN Lead CSE

Ubaid is Distinguished Technologist cum Lead CSE for DCN in APAC. Ubaid is a technologist with more than 20 years of experience on Systems, Network and Security Domains. He is currently specializes in Data Center technologies. Ubaid leads DCN technical community in APJ and working closely with Aruba WW for all DCN regional needs such as technical, enablement, Coordination with TME, GPLM & WW marketing. Ubaid is passionate to Evangelise DCN across APJ tech communities.

Before HPE, Ubaid held a global network Architect role with 3Com where he is responsible to design, deploy and manage 3Com's worldwide network. In that role, he also carried out Global Data Centre migration and setup of R&D centers at India and Taiwan.

Ubaid hold degree in Bachelor of Engineering (Electronics & Communication Engineering), MBA specializing in IT, CISSP and various industry certifications.



**aruba**

a Hewlett Packard  
Enterprise company

**TECH TALK**

**Data Centre Networking Solutions**

---

# Agenda

- Aruba CX for the evolving DC
- Customer used cases
- Network Analytic Engine
- NetEdit
- HIT Integration solutions
- VMWare NSX integration
- Summary

# DATA CENTER EVOLUTION IN THE EDGE TO CLOUD ERA



## INFRASTRUCTURE EVERYWHERE

Workloads are being placed where they deliver the best business results



## APPLICATION DRIVEN OPERATIONS

DevOps and Agile practices are shaping infrastructure and operations

---

# ARUBA CX NETWORKING FOR THE EVOLVING DATA CENTER

# AOS-CX: BUILT ON CLOUD-NATIVE PRINCIPLES

## Modularity

Faster innovation with independent processes

## Programmability

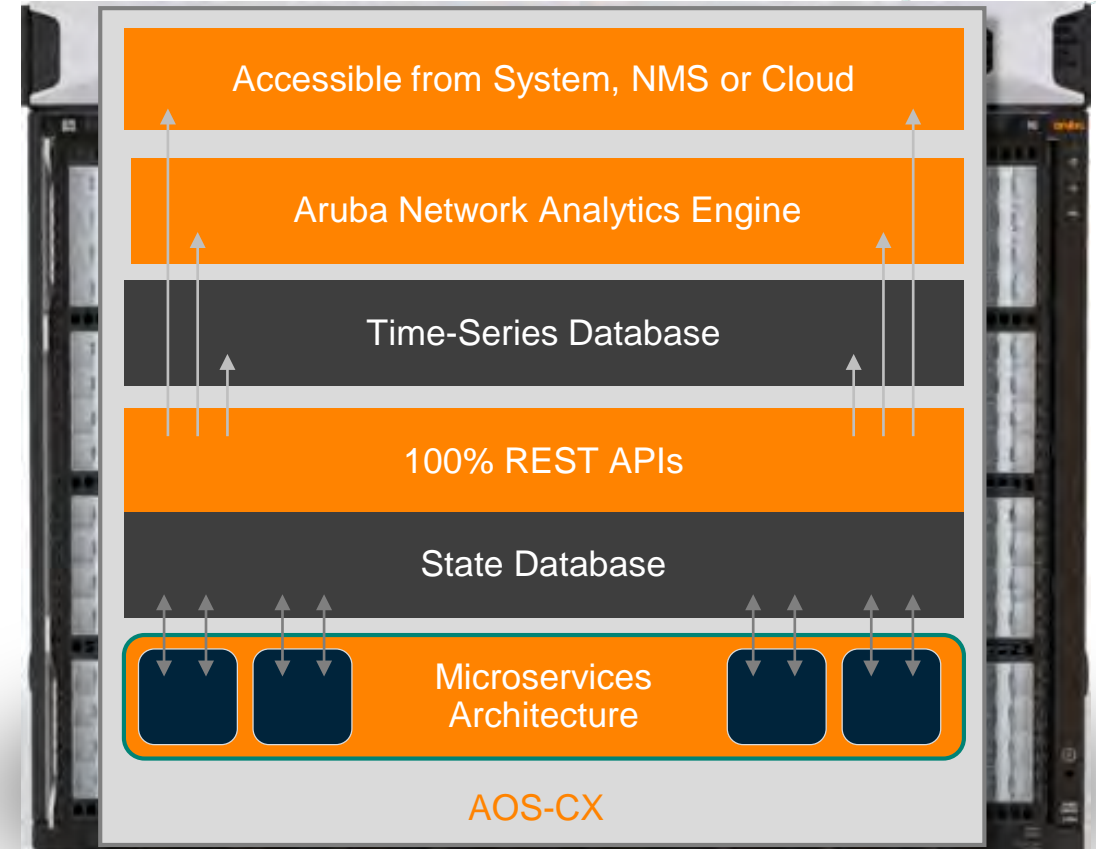
Simplified operations through automation

## Resiliency

Stable and reliable microservices design

## Elasticity

One operating model from edge access to data center

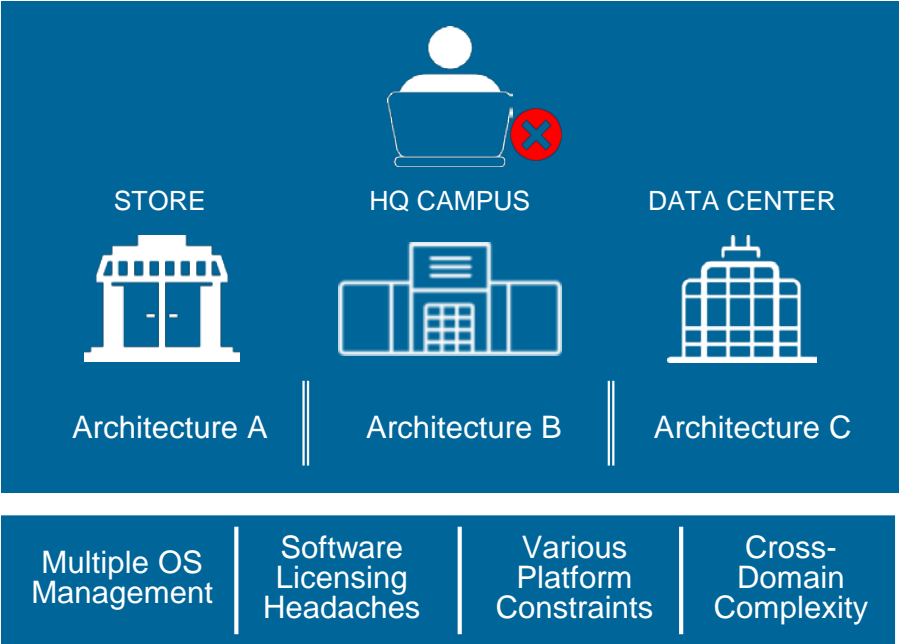




# STREAMLINING NETWORK OPERATIONS

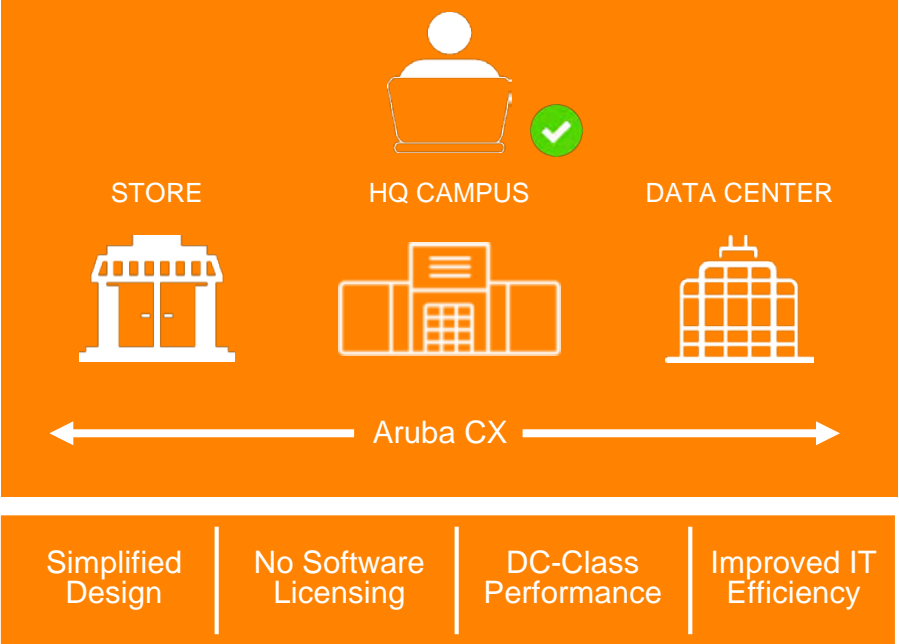
CONSISTENT ARCHITECTURE AND OPERATING MODEL FROM EDGE ACCESS TO DATA CENTER

## Other Vendor Approaches



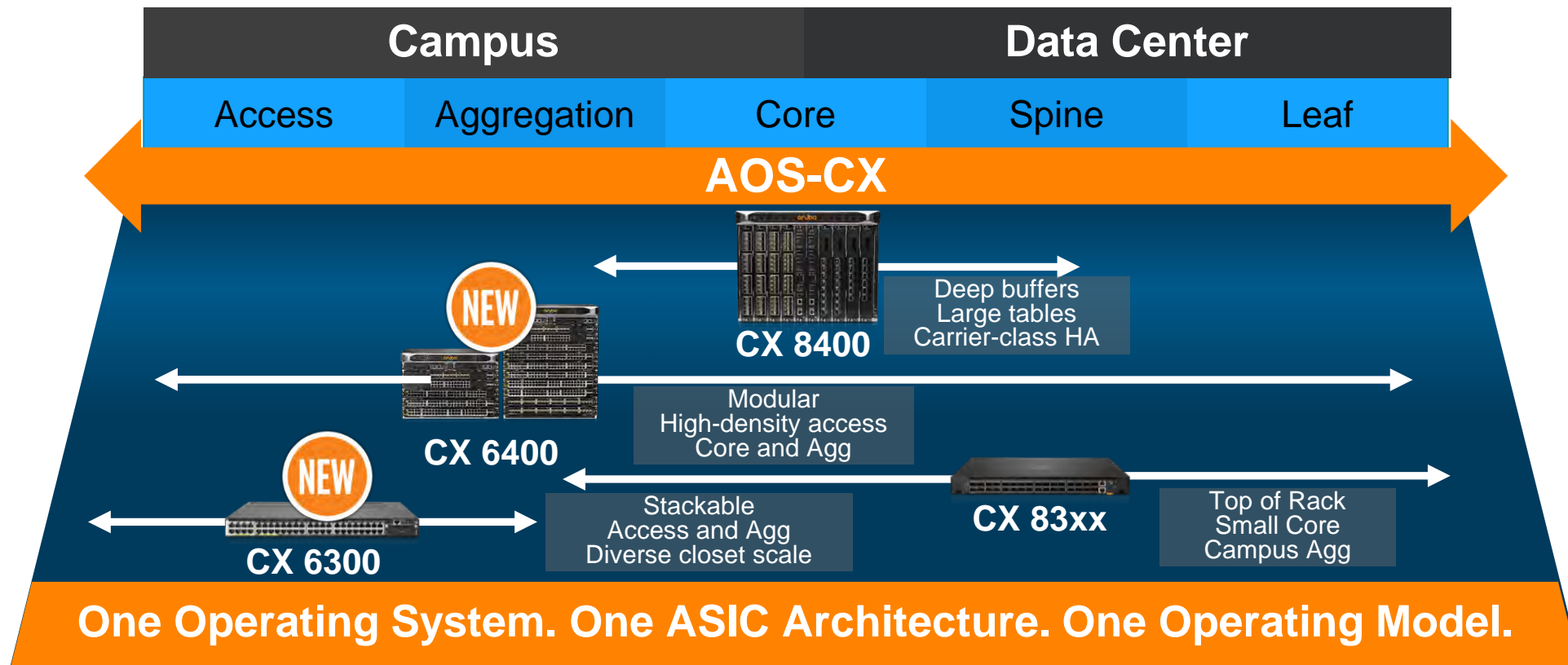
VS

## Aruba CX Approach



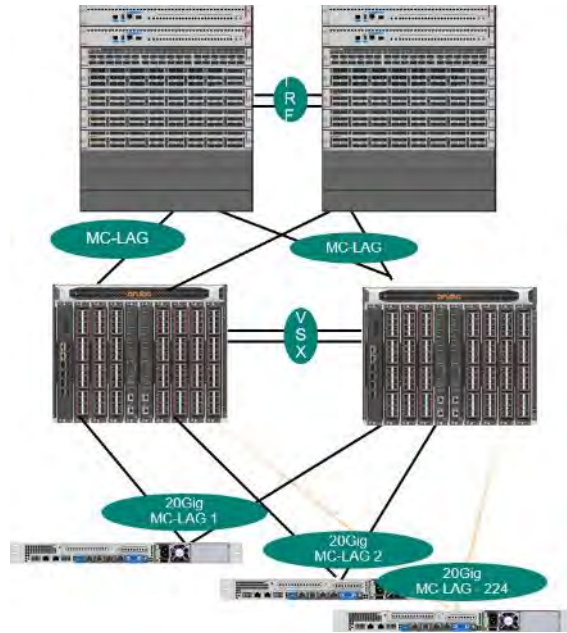
# ARUBA CX SWITCHING FOR THE ENTERPRISE

NEW PLATFORMS COMPLETE END-TO-END SWITCHING PORTFOLIO



# Cloud Based CRM Provider

## Architecture with Aruba 8400 and FlexFabric 12900E



VXLAN (on 12900)  
Policy Based Routing

50+ Racks of equipment  
60 x 8400's  
1,600 MAC Entries

Rack Servers

## Challenges

Aging infrastructure

Lean IT staff

Operational complexity

## Aruba Solution Benefits

- ✓ Simplified operations
- ✓ Application reliability
- ✓ Faster troubleshooting with Network Analytics Engine
- ✓ HA through Virtual Switching Extension
- ✓ Investment protection

Large Web scale deployment

Simple Design

Customer wanted AOS-CX benefits





## ABOUT THE CUSTOMER

### Description

Liberal arts college in Pennsylvania with ~2500 students and staff

### Use Case

2nd Data Center location for redundancy

### Buyer

Director of Engineering

### Deal Triggers

2nd Data Center Location for Resiliency

## CUSTOMER NEEDS

New Data Center Location, needed network Programmability, Automation and Resiliency  
Easy to implement

## HOW WE WON

Success with GCC Core and the 8400  
Supporting all current use cases and future needs  
Vision around Automation and Analytics with NAE

## WIN DETAILS

### Solution Sold

AOS-CX 8400s (x4)  
AOS-CX 8325s (x6)

### Competition

Looked at Cisco and Arista

### Future Requirements

VxLAN

## DIFFERENTIATOR(S)

Aruba Network Analytics Engine  
VSX Live Upgrade  
AOS-CX Programmability

## VALUE TO CUSTOMER

AOS-CX provided GCC with the Analytics and Automation vision they needed and success with GCC core using the 8400 made additional investments natural for the 2nd DC expansion

# Edge Computing for Immersive Experiences

Renowned NBA team



## Helping Fans Create New Memories

Technology in the arena and surrounding district enable connected experiences by delivering custom mobile content and venue specific services

## Aruba / HPE Solution

- Connectivity for 18,000 fans and over 6,000 devices for facilities, security, signage, etc.
- 1000+ Aruba wireless access points
- Aruba core, agg and data center switches
- HPE hybrid cloud computing onsite

---

# NAE/NetEdit Demo

# SIMPLIFYING THE OPERATOR EXPERIENCE

## FROM DAY 0 THROUGH DAY 2 OPERATIONS

Install a new switch to the network using mobile app and connect to management



New switch and its config are automatically imported

Resolve issues using always-on monitoring with built-in diagnostics and dynamic actions within every node

Manage, automate, validate, and verify configuration and network state including compliance

# SIMPLIFIED INSTALL AND CONFIGURATION

## ARUBA CX MOBILE APP



- Aruba-CX app - available in Apple and GooglePlay app stores
- Creates an SSH session with the target device
- Offers mobile-friendly switch management as well as a CLI

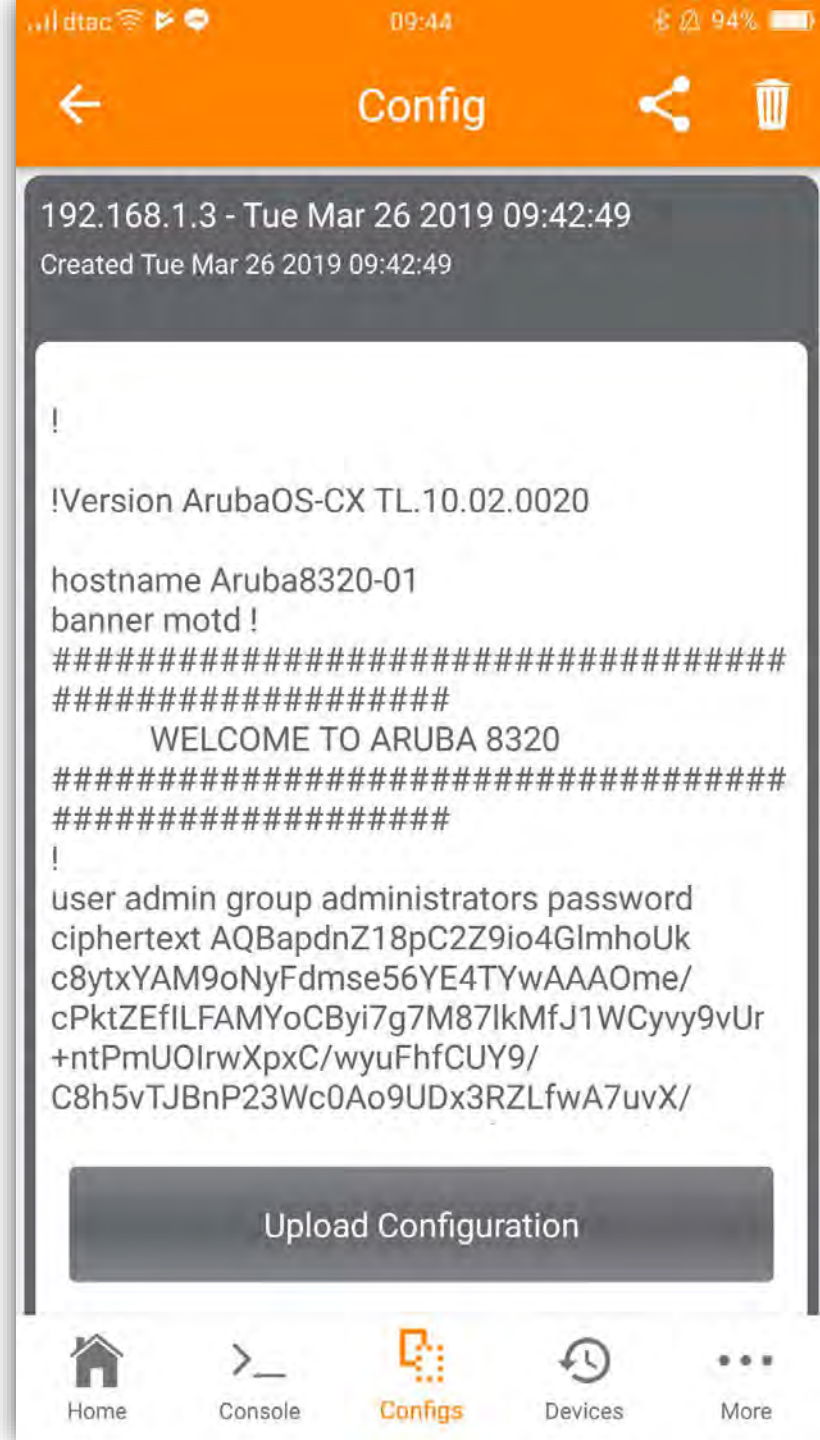
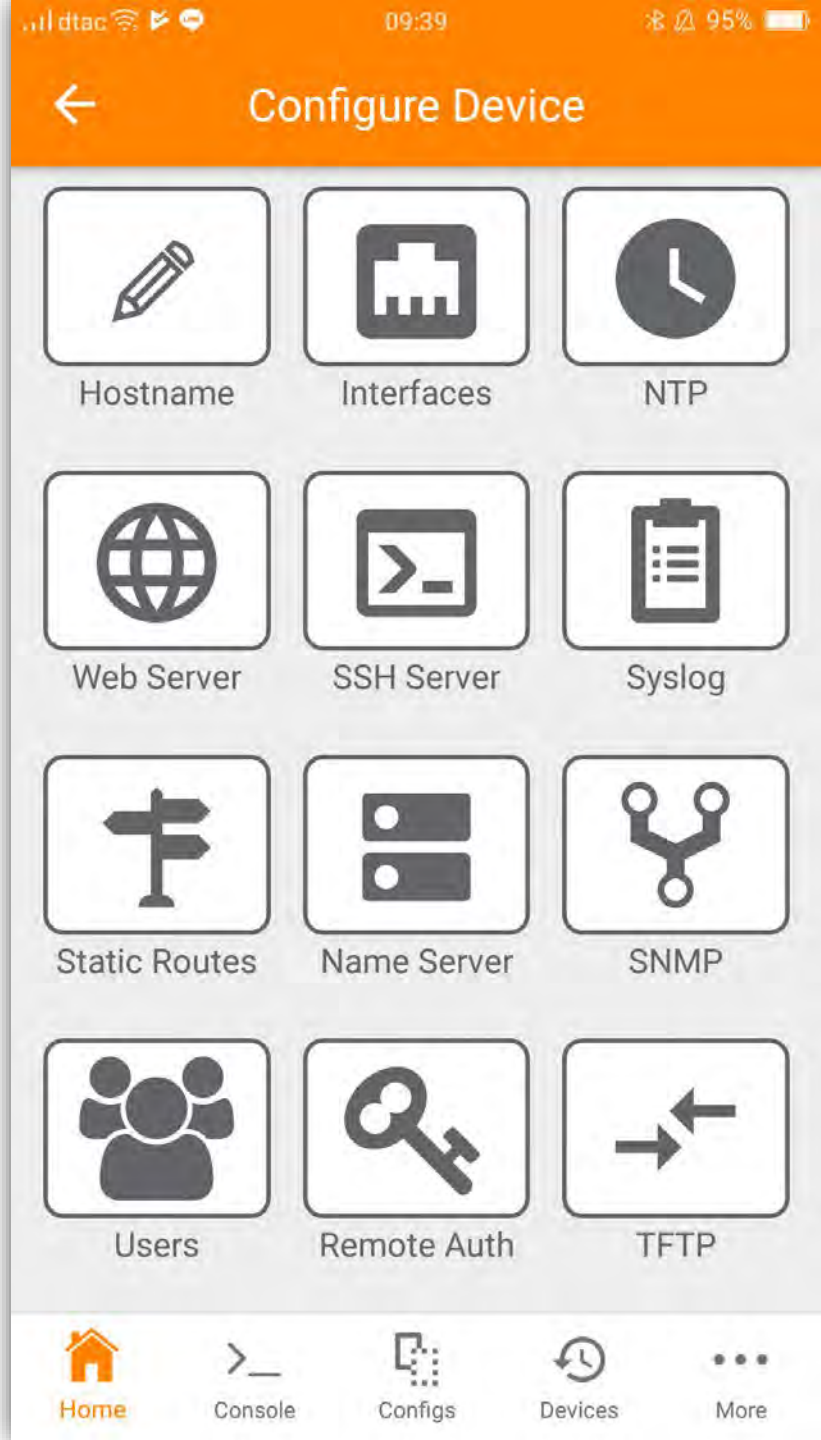
Bluetooth



- Mobile app provides the **visibility and convenience** needed for today's fast paced IT
- **Connectivity via Bluetooth** setting up switches quick and easy
- Configure, view and manage configurations
- **Simple to use built-in templates** save time and cut down on errors
- **Integration with Aruba NetEdit** allows for intelligent and validated configuration conformance
- Quickly check the **PoE budget and utilization** on switches from the CX Mobile app home screen to see available PoE
- **Auto-detection of potential stack members** and stack links makes it go from independent switches to a virtualized stack with just a few taps

The Aruba CX Mobile App is subscription free and is available to download at <https://www.arubanetworks.com/products/networking/switches/cx-mobileapp/>





192.168.1.3 - Tue Mar 26 2019 09:42:49

Created Tue Mar 26 2019 09:42:49

```
!  
  
!Version ArubaOS-CX TL.10.02.0020  
  
hostname Aruba8320-01  
banner motd !  
#####  
#####  
                WELCOME TO ARUBA 8320  
#####  
#####  
!  
user admin group administrators password  
ciphertext AQBapdnZ18pC2Z9io4GlmhoUk  
c8ytxYAM9oNyFdmse56YE4TYwAAA0me/  
cPktZEFILFAMYocByi7g7M87lkMfJ1WCyvy9vUr  
+ntPmUOlrwXpxC/wyuFhfCUY9/  
C8h5vTJBnP23Wc0Ao9UDx3RZLfwA7uvX/
```

Upload Configuration

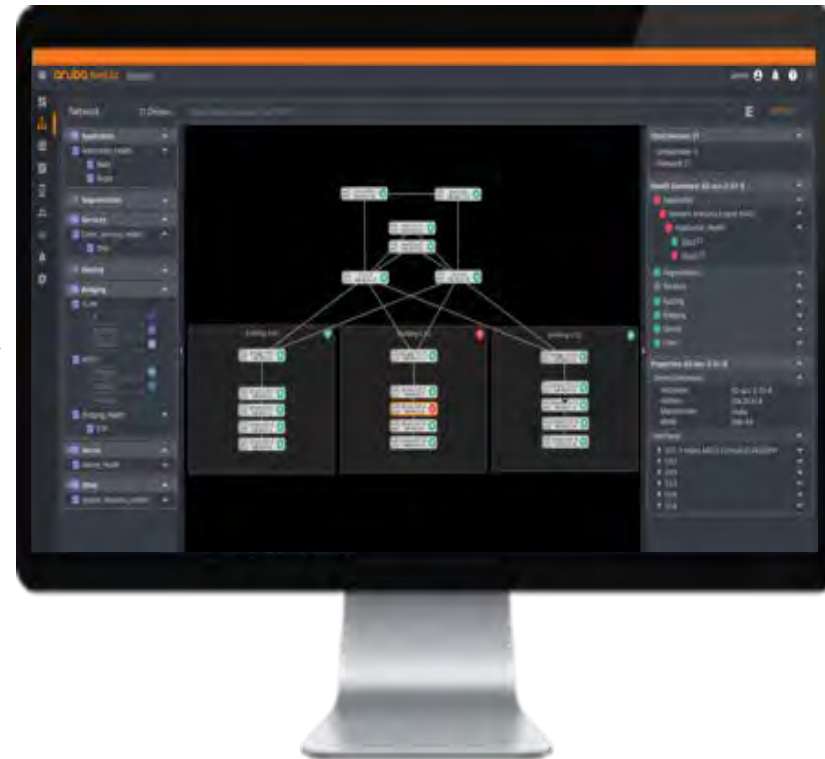
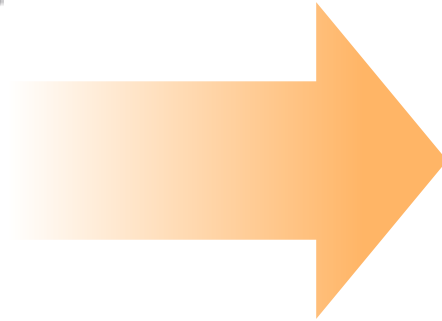
# NetEdit and AOS-CX Mobile App

## Modernizing the Operator experience



### CX-Mobile App

Quickly deploy provision and update switches



### NetEdit 2.0

Modern operator experience with actionable insights

# NetEdit for Configuration, Automation and Verification

## Enhance the Data Center Operational Experience, Minimize Downtime

Search

Edit

Validate

Deploy

Audit

### Natural CLI-Driven Automation

Quickly push updates to Data Center Network

### Conformance Checking

Catch config errors before deployment

### Automatic Change Validation

Ensure successful change window



# Topology View

The screenshot displays the Aruba NetEdit Network Topology View. The interface is divided into several sections:

- Header:** Shows the user name "Vincent" and a notification icon.
- Left Sidebar:** Contains a navigation menu with icons for Home, Network, Settings, and Help. Below it, a list of 18 devices is shown, categorized into Application, Segmentation, Services, Routing, Bridging, and Device. The "Application" section is expanded, showing items like "Application\_Health", "application\_health\_monitor", and "Salesforce.com".
- Central Area:** Displays a network topology diagram. It features three buildings (BLDG1, BLDG2, BLDG3) and two core switches (CORE-SW03, CORE-SW04). Each building contains several switches (e.g., BLDG01-F1, BLDG01-F2, BLDG01-F3) and aggregation switches (e.g., BLDG01-AGG01, BLDG01-AGG02). The core switches are connected to each other and to the aggregation switches in each building. A wireless access point (Aruba7010) is also connected to the core switches.
- Right Panel:** Provides a summary of the network status. It shows "Total Devices: 18" with "Managed: 15 (0 Unreachable)" and "Unmanaged: 3 (0 Unreachable)". Below this, a "Health Summary: All Managed" section lists various categories like Application, Segmentation, Services, Routing, Bridging, Device, and Other, each with a corresponding status icon. A "Properties: All Managed" section lists "Bridging" as a managed property.

# Device Indicators

Various Icons and badges based upon the category, the state and the feature of the device

## Category



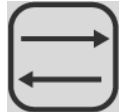
Chassis



Wireless Controller



Firewall



Switch



Router



Stack

## State



Aggregate NAE status



Device is selected (information displayed in properties)



Error: unreachable, wrong credentials, device issue

## Feature



MSTP root



OSPF process running



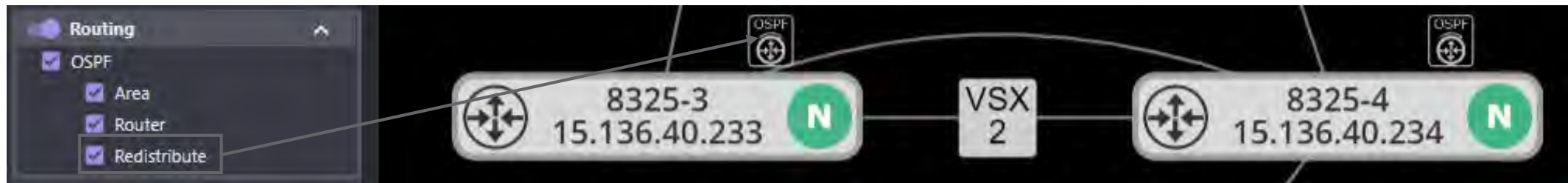
Redistribution in OSPF



APs associated to device

# Selection Effect

## OSPF Badges





# NetEdit - Demo

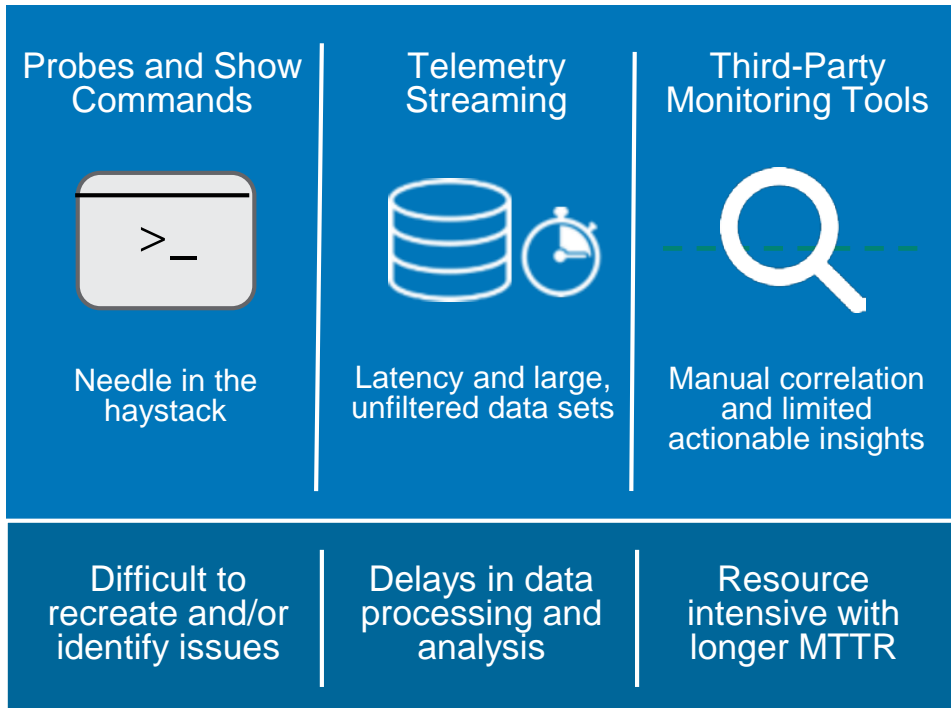




# TURNING NETWORK TELEMETRY INTO ACTIONABLE INSIGHTS

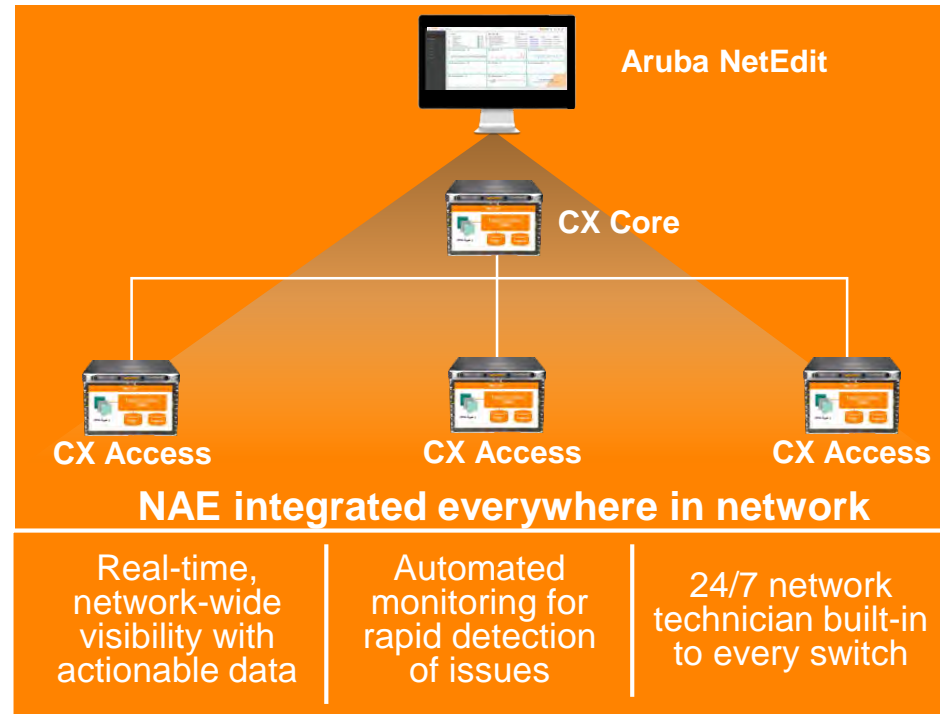
INTELLIGENT PRE-PROCESSING WITH ARUBA NETWORK ANALYTICS ENGINE

## Other Monitoring Approaches

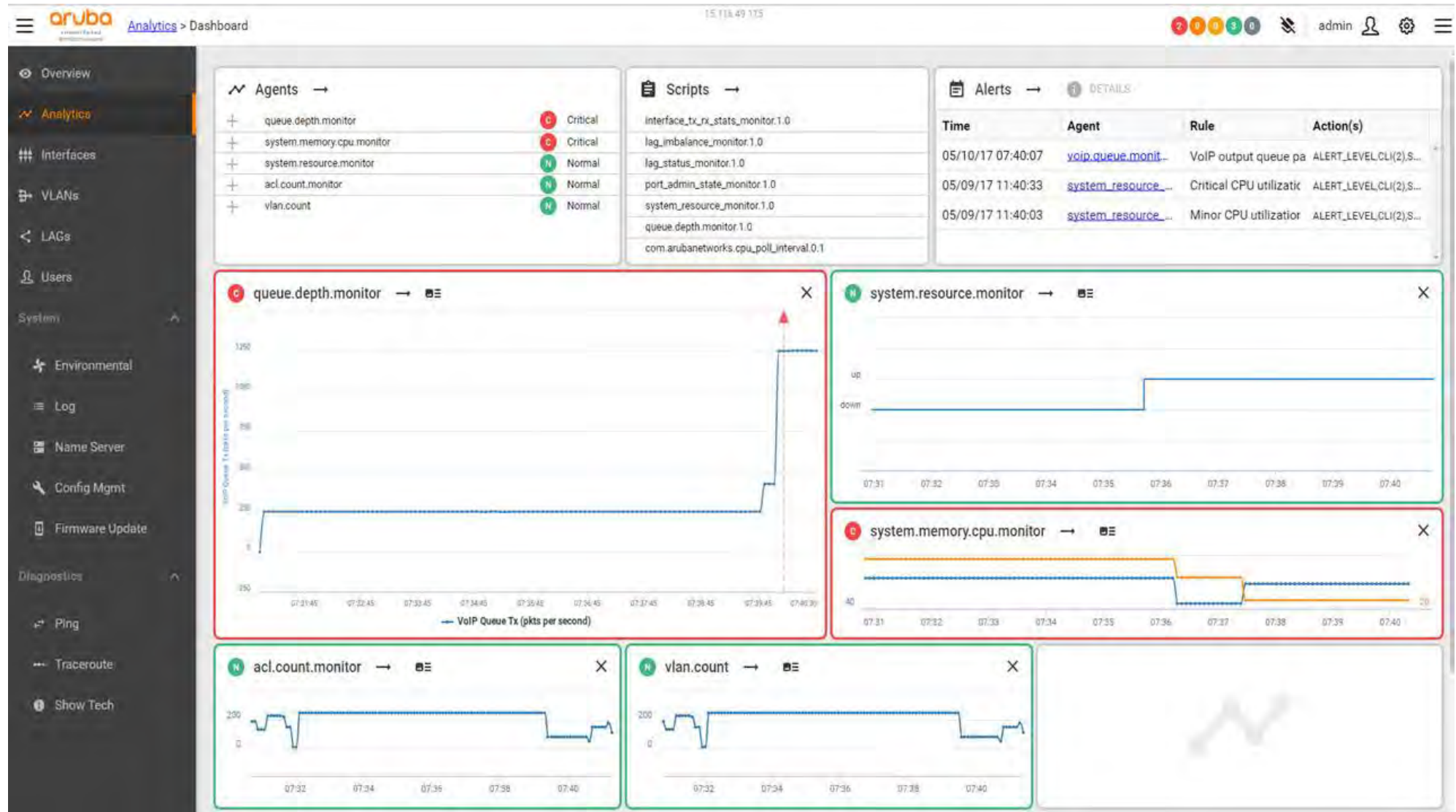


VS

## Aruba CX Approach



# Aruba Network Analytics Engine at Work



# NAE - LLDP agent

- change\_current=Yes AND no interface description => change i/f description
- change\_current=Yes AND improper interface description => change i/f description
- change\_current=Yes AND proper interface description => no change

**Agent Details**

Name: LLDP-to-description  
Script Name: LLDP\_Renaming  
Version: 1.1

**Status**  
Normal  
Last Status: Never

**Alerts**

Time	Rule	Action(s)
01/23/20 16:07:32	Agent re enabled	CLIAnalysis Report,SYSLOG
01/23/20 15:43:44	Agent re enabled	Analysis Report

**Parameters**

- include\_lag: No (Include LAGs)
- interfaces: 1/1/1-1/1/3 (Monitored Interfaces)
- change\_current: Yes (Change existent description)

**Live Status Graph**  
Graph showing Interface Link status on Switch(8) from 15:59 to 16:08. The status is consistently 'up'.

**Alert Details**

Agent: [LLDP-to-description](#)  
Rule: Agent re enabled  
Time: 01/23/20 16:07:32  
Action(s): CLIAnalysis Report,SYSLOG  
Action Result(s):  
SYSLOG: [local] LLDP\_Renaming : Some interfaces have been renamed based on their LLDP or Role(VSXrelated) informations  
Renaming Actions summary: [Output - SUCCESS](#)  
Interface 1/1/1 Renaming (config interface 1/1/1 description Link ...): [Output - SUCCESS](#)

[VIEW ON GRAPH](#) [CLOSE](#)

**Action Result Output**

Time: 01/23/20 16:07:34  
SUCCESS

Output

**SUMMARY**

Number of renamed interfaces	Number of renamed LAGs	Number of already compliant Desc.	Number of not modified parts due to change_current set to "No".
1	0	0	0

**WHAT HAS BEEN DONE**

Interface	Type	Action	Description
1/1/1	Single Port	change	link to dcl-esx1.dcn.dclg.local (port 23 on dvSwitch D5witch-2 )

[BACK](#) [CLOSE](#)

**Action Result Output**

Time: 01/23/20 16:07:34  
SUCCESS

Commands:  
config interface 1/1/1 description Link to dcl-esx1.dcn.dclg.local (port 23 on dvSwitch D5witch-2 )

Output

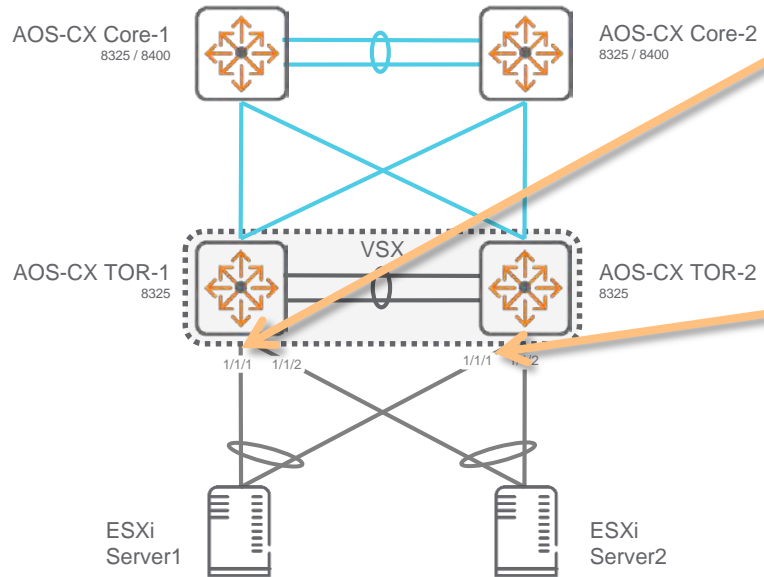
```

8325-3# config
8325-3(config)# interface 1/1/1
8325-3(config-if)# description Link to dcl-esx1.dcn.dclg.local (port 23 on dvSwitch D5witch-2 )
    
```

[BACK](#) [CLOSE](#)

# Problem Statement

## Updated Connectivity Information



```
TOR-1# show run
Current configuration:
!
!Version ArubaOS-CX GL.10.03.0020
hostname 8325-1
...
interface 1/1/1
  no shutdown
  description ?
...
```

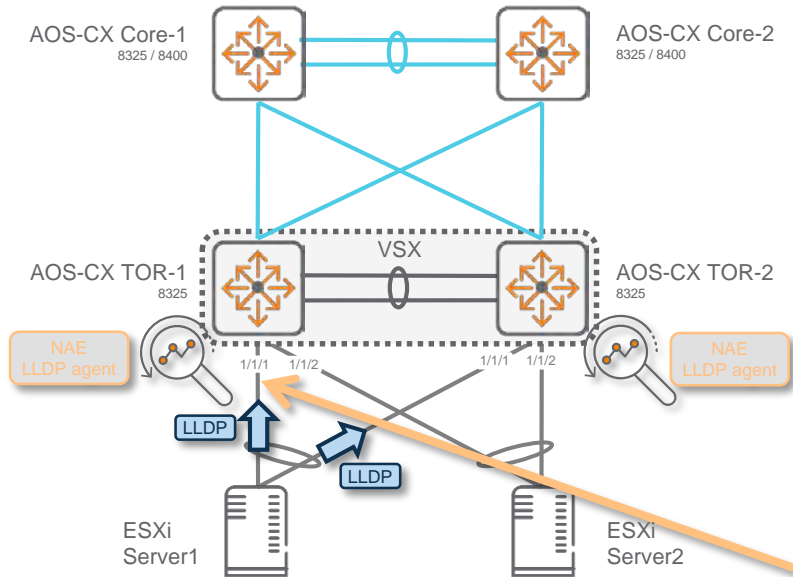
```
TOR-2# show run
Current configuration:
!
!Version ArubaOS-CX GL.10.03.0020
hostname 8325-1
...
interface 1/1/1
  no shutdown
  description ?
...
```



The screenshot shows the Aruba NetEdit interface. On the left, there is a navigation menu with options like Overview, Network, Devices, Plans, Firmware Repository, Users, Logs, Notifications, Diagnostics, and Settings. The main area is divided into two panes: 'Devices (1/1)' and 'Device Viewer'. The 'Device Viewer' pane shows the configuration for interface 1/1/1, which is highlighted with a red box. The configuration includes: no shutdown, lag 101, interface 1/1/7, lag 107, interface 1/1/11, no routing, vlan trunk native 1, vlan trunk allowed all, interface 1/1/12, no routing, vlan access 1, and interface 1/1/25.

# Automated Interface Description

## From LLDP information

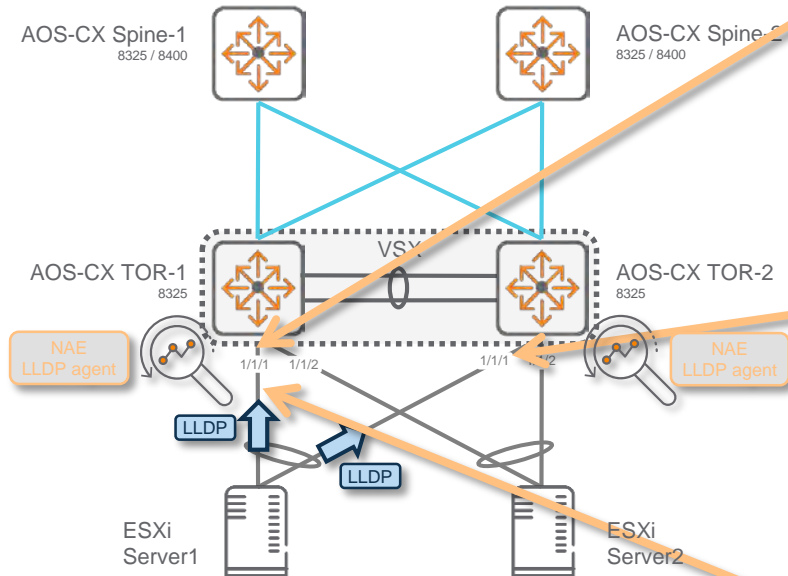


```
TOR-2# show lldp neighbor-info 1/1/1

Port                               : 1/1/1
Neighbor Entries                    : 1
Neighbor Entries Deleted            : 0
Neighbor Entries Dropped           : 0
Neighbor Entries Aged-Out          : 0
Neighbor Chassis-Name               : dcl-esx1.dcn.dcnig.local
Neighbor Chassis-Description       : VMware ESX Releasebuild-13004031
Neighbor Chassis-ID                 : vmnic1
Neighbor Management-Address        :
Chassis Capabilities Available     : Bridge
Chassis Capabilities Enabled       : Bridge
Neighbor Port-ID                    : 00:50:56:51:e1:05
Neighbor Port-Desc                  : port 23 on dvSwitch DSwitch-2 (etherswitch)
Neighbor Port VLAN ID              :
TTL                                  : 180
```

# OUTCOME

## Connectivity Information is automatically updated



```
TOR-1# show run
Current configuration:
!
!Version ArubaOS-CX GL.10.03.0020
hostname 8325-1
...
interface 1/1/1
  no shutdown
  description Link to dc1-esx1.dcn.dcig.local (port 22 on dvSwitch DSwitch-2 (etherswitch))
...
```

```
TOR-2# show run
Current configuration:
!
!Version ArubaOS-CX GL.10.03.0020
hostname 8325-1
...
interface 1/1/1
  no shutdown
  description Link to dc1-esx1.dcn.dcig.local (port 23 on dvSwitch DSwitch-2 (etherswitch))
...
```

```
TOR-2# show lldp neighbor-info 1/1/1

Port                               : 1/1/1
Neighbor Entries                   : 1
Neighbor Entries Deleted           : 0
Neighbor Entries Dropped           : 0
Neighbor Entries Aged-Out          : 0
Neighbor Chassis-Name              : dc1-esx1.dcn.dcig.local
Neighbor Chassis-Description       : VMware ESX Releasebuild-13004031
Neighbor Chassis-ID                : vmnic1
Neighbor Management-Address        :
Chassis Capabilities Available     : Bridge
Chassis Capabilities Enabled       : Bridge
Neighbor Port-ID                   : 00:50:56:51:e1:05
Neighbor Port-Desc                  : port 23 on dvSwitch DSwitch-2 (etherswitch)
Neighbor Port VLAN ID              :
TTL                                 : 180
```

# Aruba NAE - Network Analytics Engine Demo



---

# Intergration with HIT solutions



# Support for HPE Servers and Systems products

## Support matrix

### ARUBA PLATFORMS: 832X

- 8320: JL479A—Aruba 8320 48 10/6 40 X472 5 2 Bdl
- 8325:
  - F2B Airflow: JL624A—Aruba 8325 48p25G/8p100G 6F2B F 2F2B PS
  - B2F Airflow: JL625A—Aruba 8325 48p25G/8p100G 6B2F F 2B2F PS

### HIT DAC SUPPORT LIST

HIT SKU	Description
487655-B21	HPE BLc 10G SFP+ SFP+ 3m DAC
537963-B21	HPE BLc 10G SFP+ SFP+ 5m DAC
844477-B21	HPE 25Gb SFP28 to SFP28 3m DAC
844480-B21	HPE 25Gb SFP28 to SFP28 5m DAC

### LEARN MORE AT

[hpe.com/info/servernetworking](https://hpe.com/info/servernetworking)

Make the right purchase decision.  
Contact our presales specialists.



Chat



Email



Call

<https://arubapedia.arubanetworks.com/arubapedia>

</index.php/ArubaOS-Switch and CX Transceivers>



Get updates

### ARUBA DAC SUPPORT LIST

SKU	Description
J9281B (D)	Aruba 10G SFP+ to SFP+ 1m DAC
J9283B (D)	Aruba 10G SFP+ to SFP+ 3m DAC
JL487A	Aruba 25G SFP28 to SFP28 0.65m DAC
JL488A	Aruba 25G SFP28 to SFP28 3m DAC
JL489A	Aruba 25G SFP28 to SFP28 5m DAC

### HIT NIC SUPPORT LIST

SKU	Description
817749-B21	HPE Ethernet 10/25Gb 2-port 640FLR-SFP28 Adapter
817753-B21	HPE Ethernet 10/25Gb 2-port 640SFP28 Adapter
P11338-B21	HPE Ethernet 10Gb 2-port 548SFP+ Adapter
P08446-B21	HPE Ethernet 10Gb 2-port 524SFP+ Adapter
727055-B21	HPE Ethernet 10Gb 2-port 562SFP+ Adapter
727054-B21	HPE Ethernet 10Gb 2-port 562FLR-SFP+ Adapter
656596-B21	HPE Ethernet 10Gb 2-port 530T Adapter
700759-B21	HPE FlexFabric 10Gb 2-port 533FLR-T Adapter
817745-B21	HPE Ethernet 10Gb 2-port 562FLR-T Adapter
817738-B21	HPE Ethernet 10Gb 2-port 562T Adapter
817709-B21	HPE Ethernet 10/25Gb 2-port 631FLR-SFP28 Adapter
817718-B21	HPE Ethernet 10/25Gb 2-port 631SFP28 Adapter



Adobe Acrobat  
Document

# Aruba CX 6300 switching integration with HIT platform

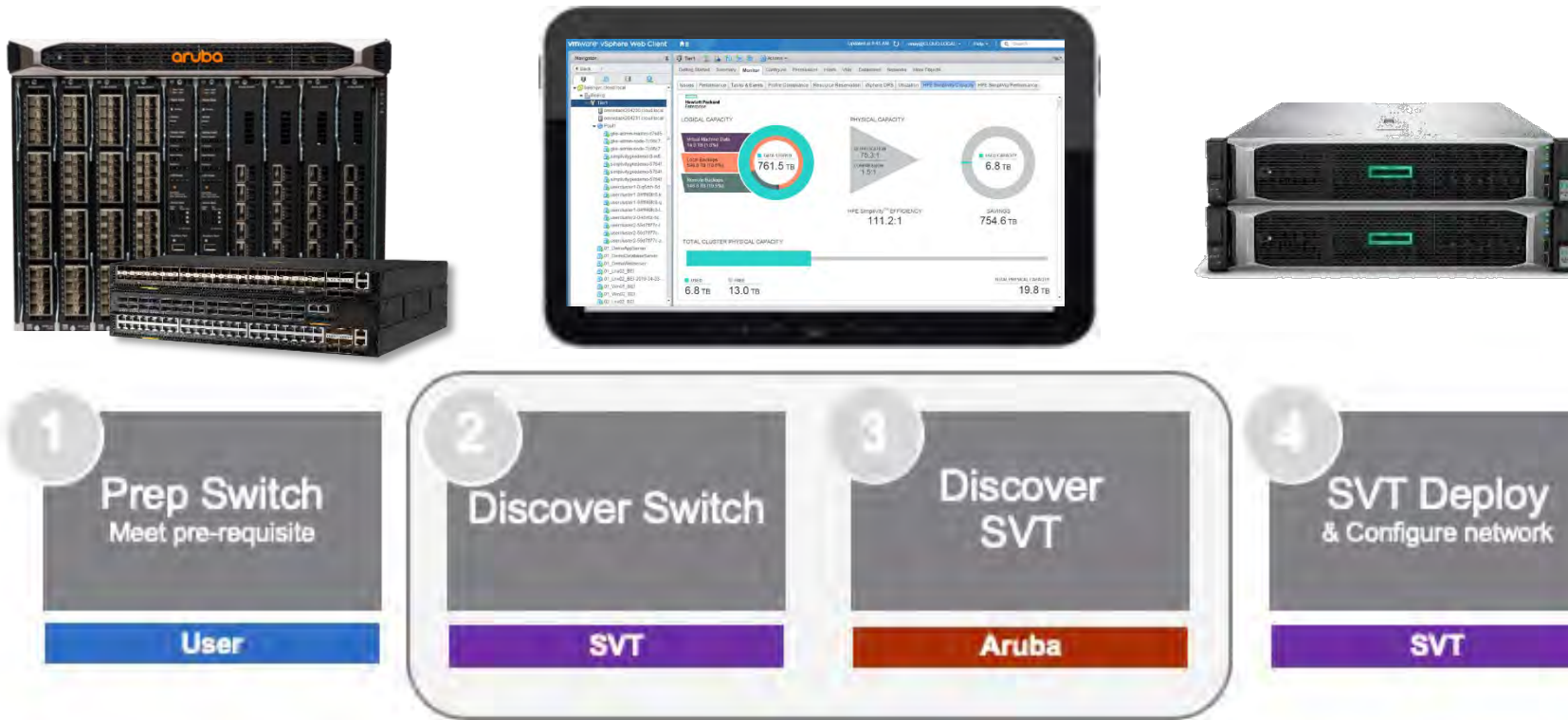
## APJ led 6300 (JL658A with HIT Compute volume) – positioned for small DC

Aruba6300 – JL658A with connectivity (1/10G)	DL360/DL380 with connectivity (1/10G) NIC	Test Cases
Aruba 10G SFP+ to SFP+ 1m DAC Cable (J9281D)	HPE Ethernet 10Gb 2-port 562SFP+ Adptr (Intel- 727055-B21)	Basic Connectivity – Layer1 (Physical)
Aruba 10G SFP+ to SFP+ 3m DAC Cable (J9283D)	HPE Ethernet 10Gb 2-port 562FLR-SFP+Adptr (Intel- 727054-B21)	Link Layer (Logical), Layer 2
Aruba 10G SFP+ LC SR 300m MMF Transceiver (J9150D)	HPE Ethernet 10Gb 2P 530SFP+ Adptr (Broadcom – 652503-B21)	Layer 3, IP Test inc GW tests
Aruba 10GBASE-T SFP+ RJ45 30m Cat6A Transceiver (JL563A)	HPE Eth 10Gb 2p 562FLR-T Adptr (Intel – 817745-B21)	Jumbo Frames, large MTU
Aruba 1G SFP RJ45 T 100m Cat5e Transceiver (J8177D)	HPE Ethernet 10Gb 2P 530T Adptr (Marvell – 656596-B21)	Single Switch, VSF pair HA
	HPE Eth 10Gb 2p 562T Adptr (Intel – 817738-B21)	VSF with LACP on server end
	HPE Ethernet 1Gb 4P 331FLR Adptr (Broadcom – 629135-B22)	NICs with Windows 2016 drivers
	HPE Ethernet 1Gb 4-port 366FLR Adapter (Intel – 665240-B21)	NICs with standlaone and teamed

- Details of NIC, DAC, Transceiver combinations are in following slides
- VSF switch interconnects were tested and verified with following DAC cables:
  - ✓ 10G (1M/3M), 25G (0.65M/3M/5M) and 50G (0.65M/3M) DACs from Aruba

# HPE SimpliVity + Aruba Networks

Automating Provisioning for rapid edge data center deployment



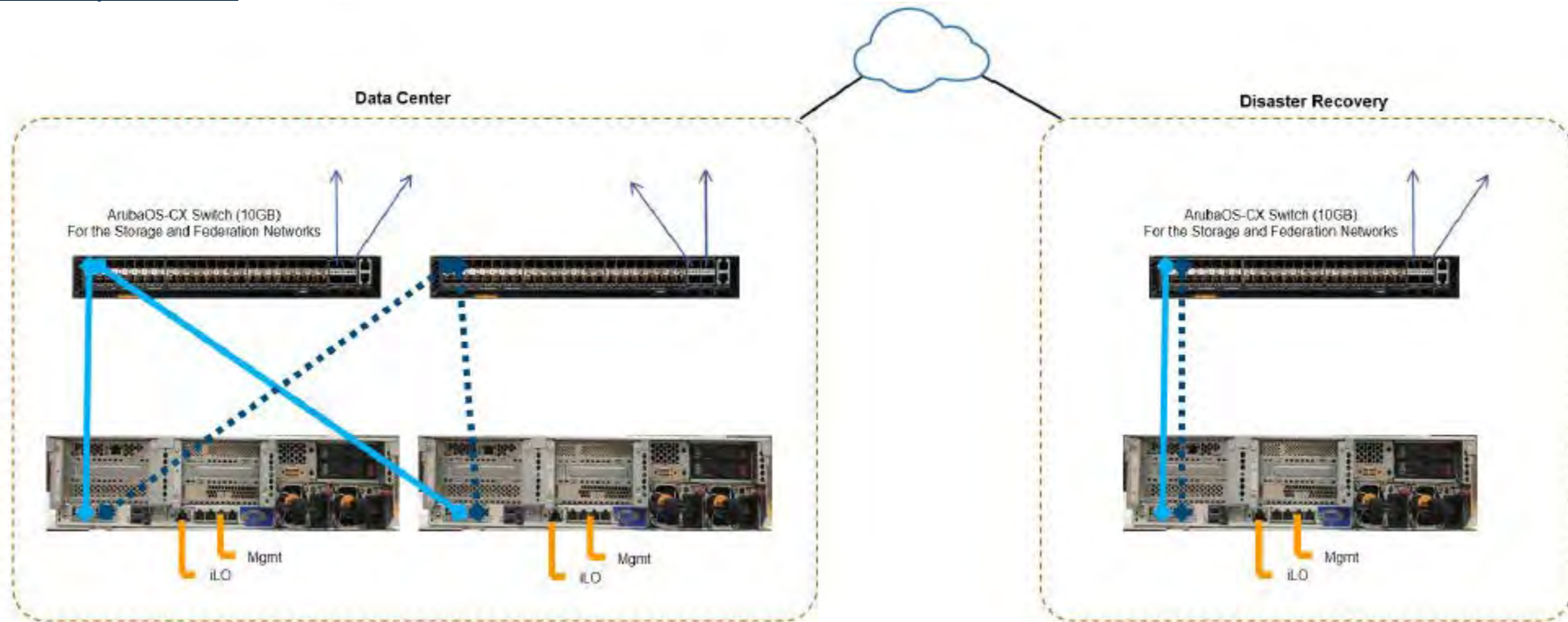
**Accelerate**  
deployment of ROBO  
/ Edge sites

**Automate**  
and eliminate configuration  
errors

**Simplify**  
operations across all sites

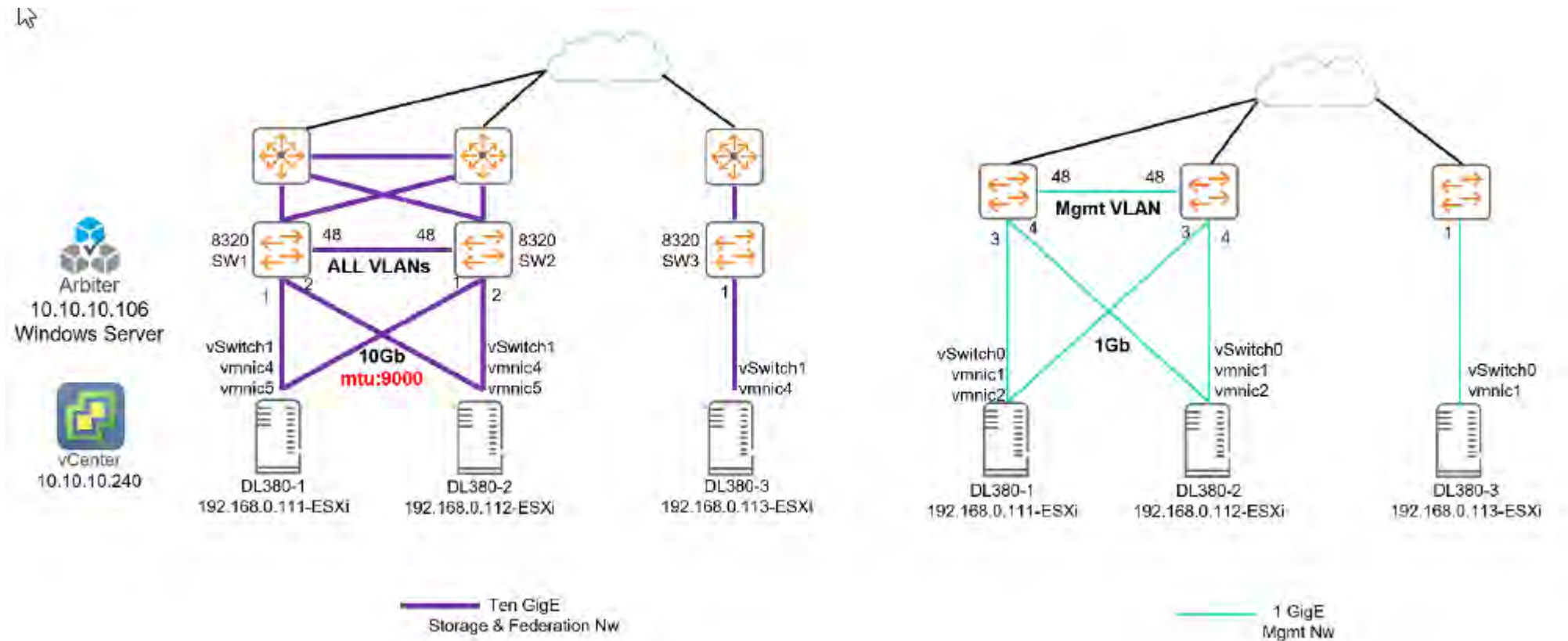
# HPE Simplivity - Connectivity Options

- Common deployment scenario = HA the Omnicubes to pair of ToRs
- Aruba / Simplivity VRD as tested in TME LAB :
  - <https://community.arubanetworks.com/t5/Validated-Reference-Design/HPE-SimpliVity-Cluster-Interop-with-ArubaOS-CX-Switch/ta-p/503116>



# HPE Simplivity Connectivity Options

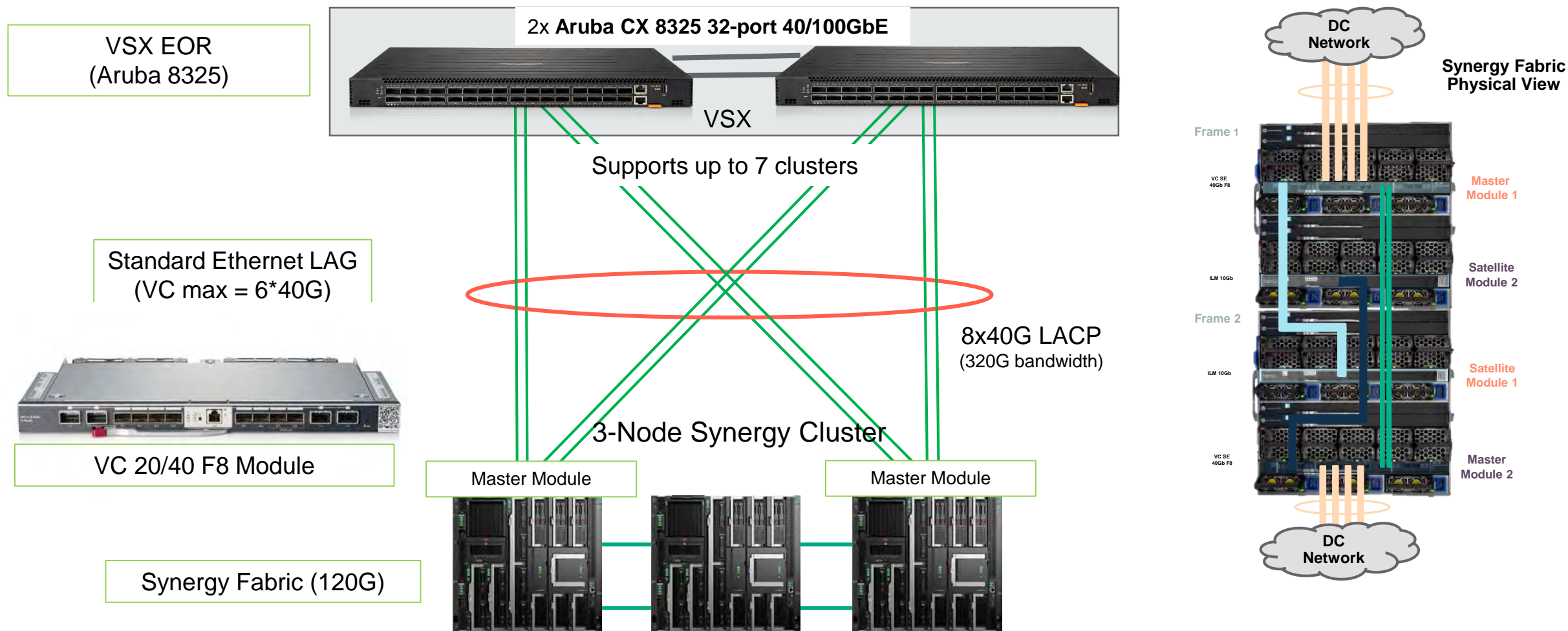
- Aruba OS-CX 8320 SFP+ switches providing Federation and Storage connectivity
- Aruba OS-CX 8320/6300 BaseT switches providing Management connectivity



# Synergy Fabric integration

## Single-tier Fabric with ArubaOS CX - 8325

### ArubaOS CX - VSX as EOR



ArubaOS-CX Switches VSX Cluster Interconnect with HPE Synergy:

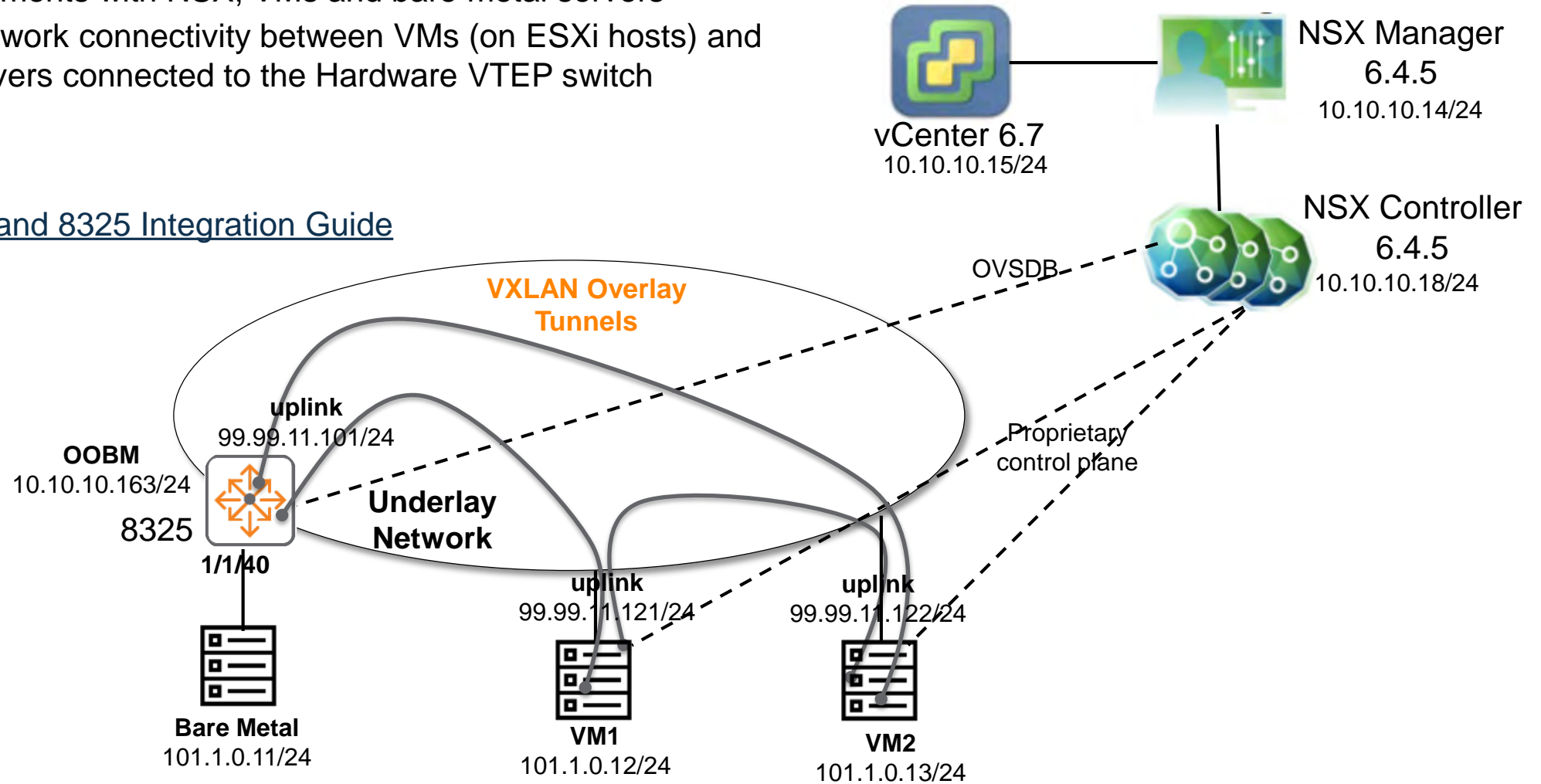
<https://community.arubanetworks.com/t5/Validated-Reference-Design/ArubaOS-CX-Switches-VSX-Cluster-Interconnect-with-HPE-Synergy/ta-p/513107>

# VMware NSX-V 8325 Integration

- Used in environments with NSX, VMs and bare metal servers
- Provides L2 network connectivity between VMs (on ESXi hosts) and Bare Metal Servers connected to the Hardware VTEP switch (8325/5940)

More details at:

[VMware NSXv and 8325 Integration Guide](#)



# Aruba switching + VMware NSX-V

## VMware Compatibility Guide

[https://www.vmware.com/resources/compatibility/search.php?deviceCategory=hvzg&details=1&partners=515&page=1&display\\_interval=10&sortColumn=Partner&sortOrder=Asc](https://www.vmware.com/resources/compatibility/search.php?deviceCategory=hvzg&details=1&partners=515&page=1&display_interval=10&sortColumn=Partner&sortOrder=Asc)

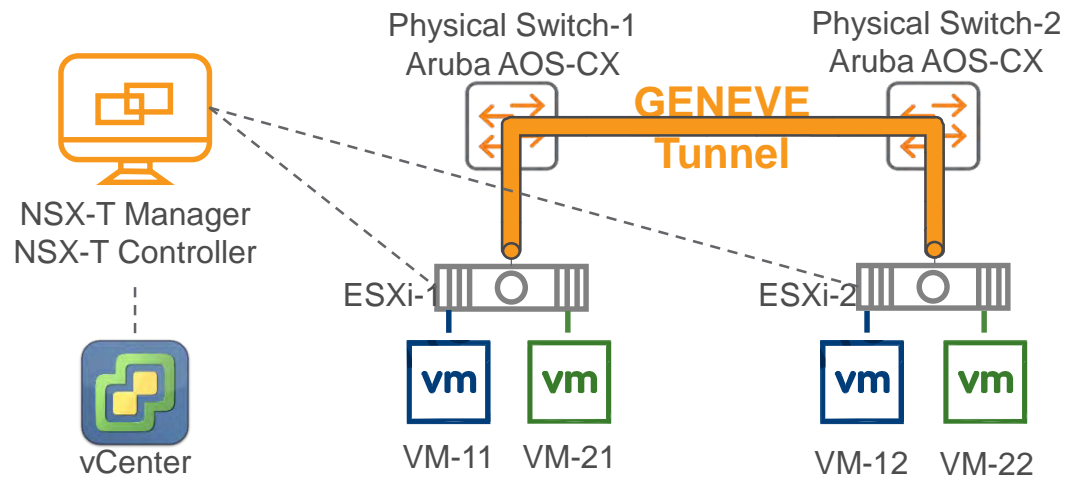
Partner Name	Hardware Model	Switch Software Version ( ^ )	NSX Version	Solution Topology
Hewlett Packard Enterprise	5940	Version 7.1 R2612P02	NSX 6.4.1	Standalone
Hewlett Packard Enterprise	Aruba 8325	ArubaOS-CX 10.04.0030	NSX 6.4.4	Standalone
Hewlett Packard Enterprise	HPE StoreFabric SN2000M Series	ONYX-X86_64-3.8.1112	NSX 6.4.6 NSX 6.4.5	Standalone Standalone



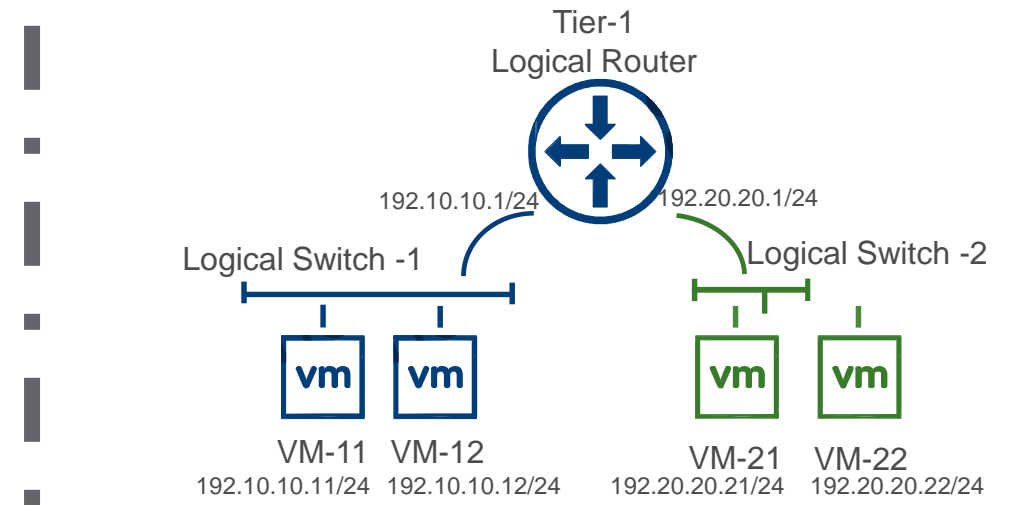
# NSX-T GENEVE Tunnel over AOS-CX

- Provides L2,L3 network connectivity between VMs using GENEVE Tunnels
- ESXi Servers are connected with Aruba AOS-CX Switches using IP connectivity

Physical Topology



Logical Topology



More details at:  
[NSX-T Interop white-paper](#)

# Aruba 8400/832x Success: 900+ Customers & growing

## North America

- School districts
- Defense research lab
- Manufacturing
- State government agency
- Universities
- Casino
- Transportation
- Grocery chain
- Electricity provider
- Technology company
- Media
- Health Center
- Apparel retailer
- ...

## EMEA

- Universities
- Manufacturing
- Diversified conglomerate
- Public prosecution service
- Boarding school
- City government
- Media
- ...

## APJ

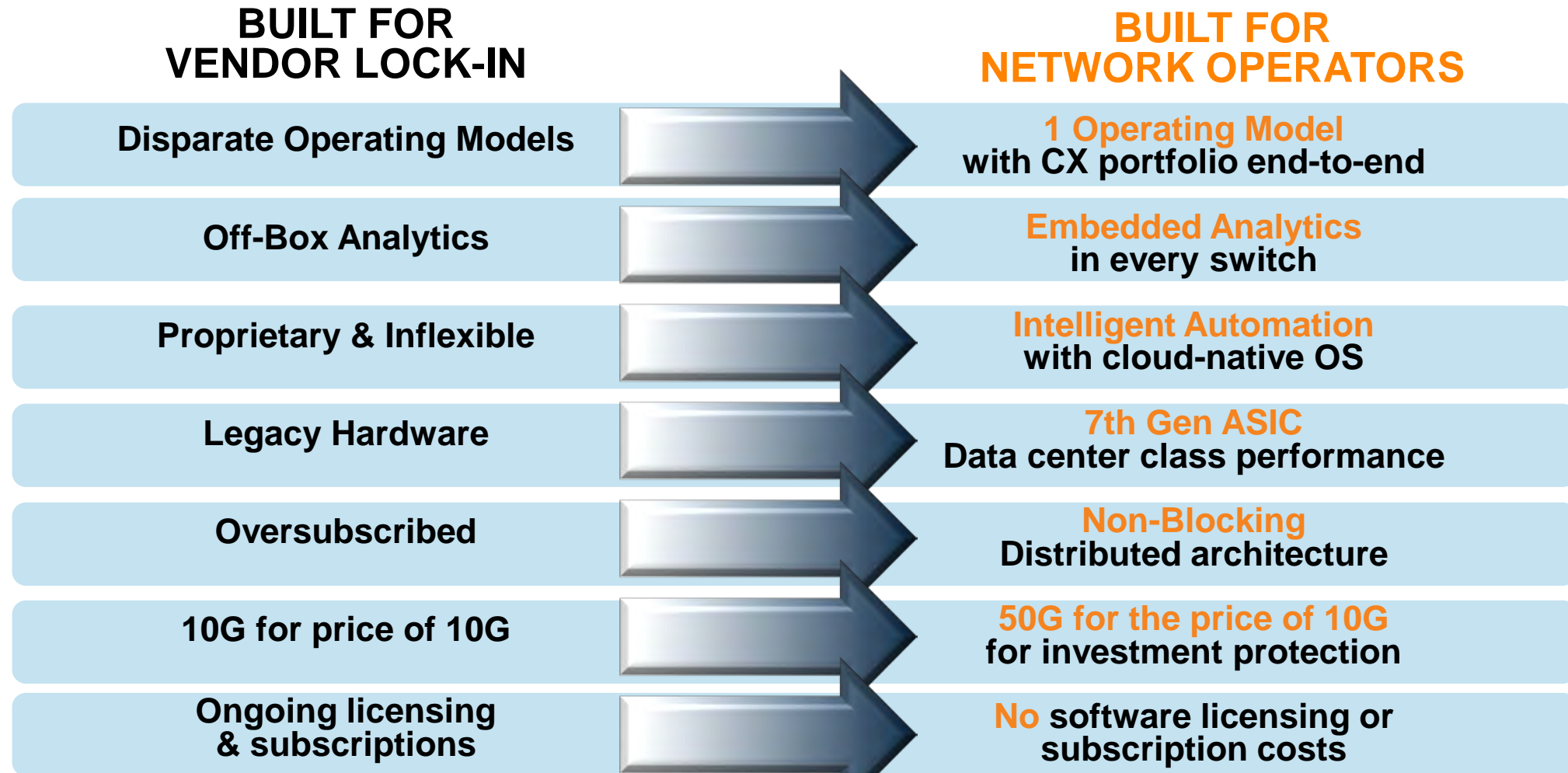
- Transportation
- Universities
- Manufacturing
- Technology
- Financial services
- Media
- City government
- Aerospace
- ...

## Latin America

- Casino
- Airport concessions
- Oil & Gas
- Media
- Universities
- ...



# THE COMPETITION VS ARUBA CX



<https://packetpushers.net/podcast/heavy-networking-514-arubas-vision-extends-from-the-data-center-to-the-edge-sponsored/>



aruba

a Hewlett Packard  
Enterprise company

**Thank you**

